



BRO BEST IN CLASS

NON-CONTRACTUAL PHOTO. ACTUAL PRODUCT MAY VARY FROM THE ONE SHOWN.

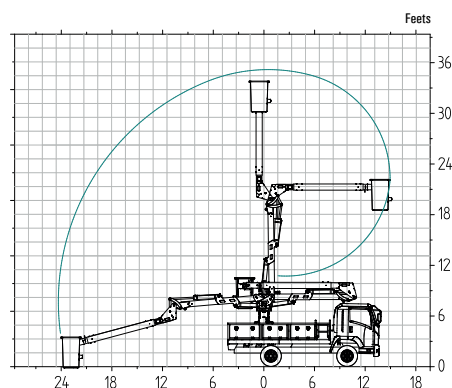
ARTICULATING AERIAL DEVICES

GENERAL SPECIFICATIONS

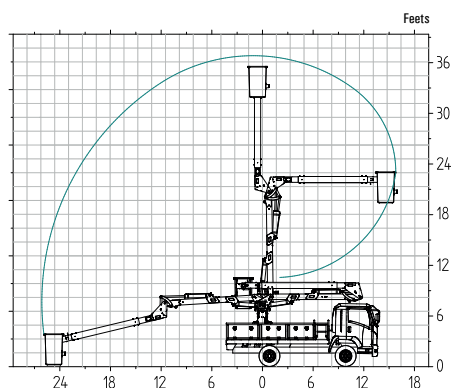
EQUIPMENT	BRO29	BRO32	BRO36
Working height	35.1 ft / 10,7 m	37.0 ft / 11,3 m	40.8 ft / 12,4 m
Ground to bottom of the platform	30.1 ft / 9,2 m	32.0 ft / 9,8 m	35.9 ft / 10,9 m
Max reach from centerline of rotation	24.0 ft / 7,4 m	25.9 ft / 7,9 m	29.9 ft / 9,0 m
Max reach upper boom non overcenter	14.9 ft / 4,5 m	15.8 ft / 4,8 m	17.8 ft / 5,4 m
Stowed travel height	10.5 ft / 3,2 m	10.5 ft / 3,2 m	10.5 ft / 3,2 m
Platform capacity	300 lb / 136,4 kg	300 lb / 136,4 kg	300 lb / 136,4 kg
Platform dimensions	24 x 24 x 42 in / 610 x 610 x 1070 mm	24 x 24 x 42 in / 610 x 610 x 1070 mm	24 x 24 x 42 in / 610 x 610 x 1070 mm
Rotation	360° continuous infinite	360° continuous infinite	360° continuous infinite

REACH DIAGRAM

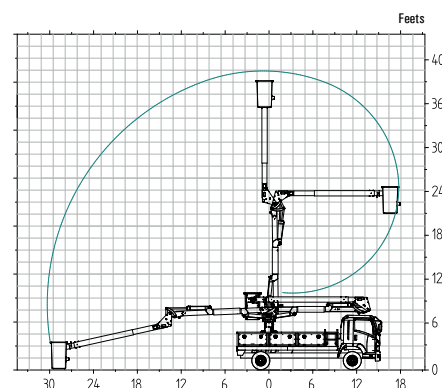
BRO29



BRO32



BRO36



FEATURES

- Manual emergency pump
- Emergency stop at the upper and lower control stations
- Side-Mount platform
- Lower controls with override to the platform
- Chassis Insulating System (Lower Boom)
- Insulated 46 kV Category C
- Engine Start/Stop at Platform and turret
- Chain Platform Leveling System
- Device against accidental operation at the platform (Safe Control System)
- Hydraulic oil level and thermometer
- Self-lubricating bushing
- Hydraulic tool circuit at platform
- "A" frame outriggers
- Outrigger Boom Interlock System
- Vynil platform and insert cover
- Leveling system and hoses fully embedded inside booms
- Holding valves integrated in hydraulic cylinders
- AXION meets or exceeds ANSI A92.2 standards
- Liner
- Hydraulic Platform Tilt
- Engine throttle control at platform
- Safety harness hook ring x 1

OPTIONS

- Additional platform 24 x 24 x 42in
Capacity: 300 lb
- Electric emergency pump
- Platform size: 30 x 24 x 42¹
- Outrigger motion alarm

1. Only in BRO36.

**SERVICE AND
PARTS SUPPORT**

833-34-FLY-AX (35929) / support@axionlift.com

Manned by expert in-house & mobile technicians, specializing in inspections, repairs & preventative maintenance.